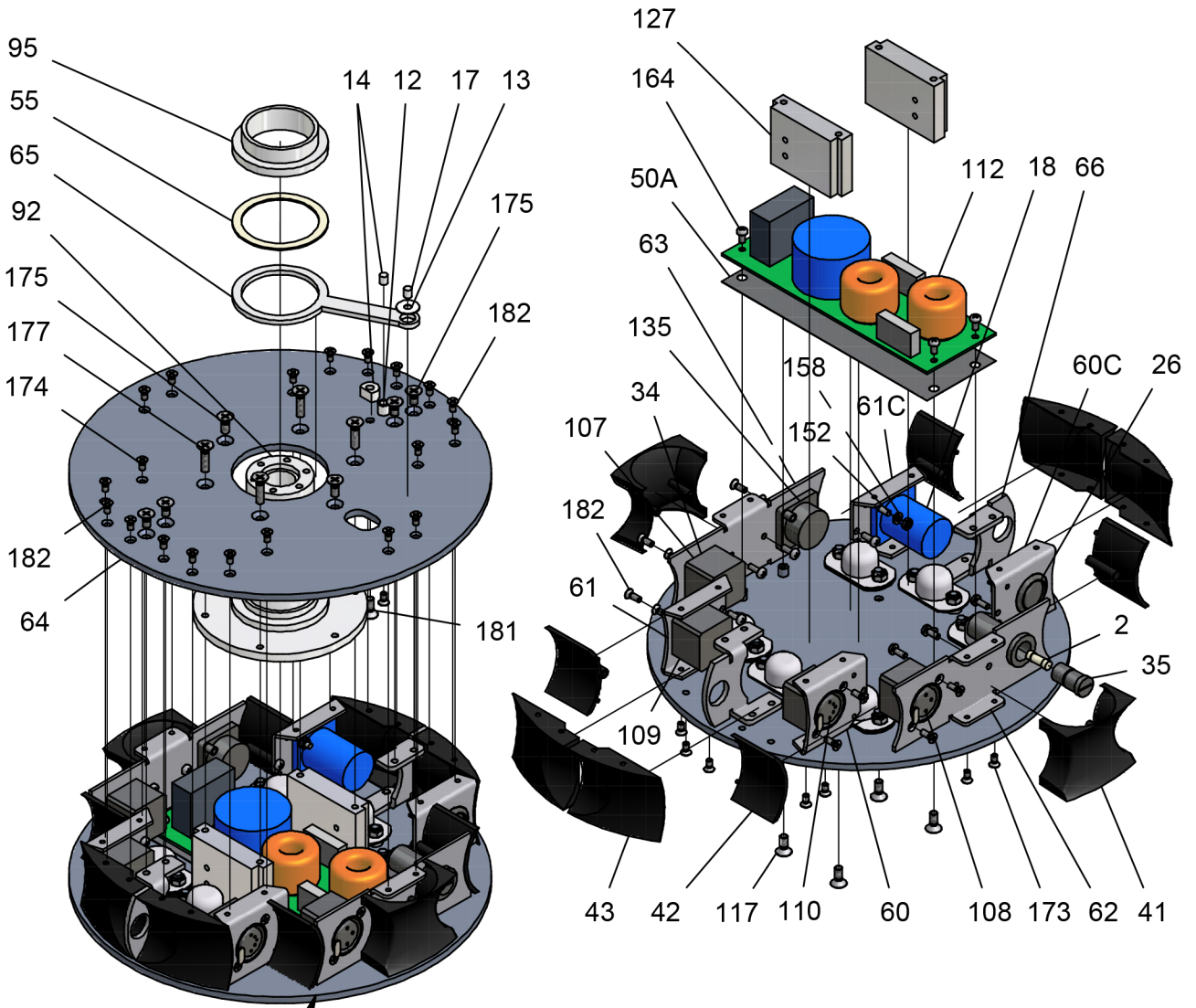


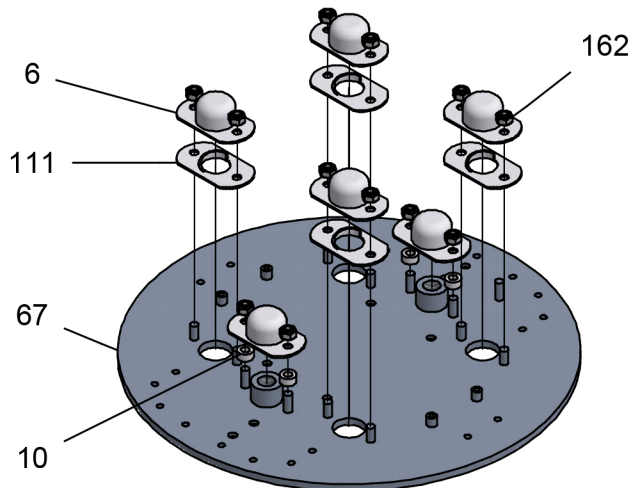
0.Overview

<i>Pos.</i>	<i>Code</i>	<i>Name</i>	<i>Type</i>	<i>Quantity</i>	<i>Norm</i>
1		Base			
2		Arm			
3		PAN, TILT			
4		Head			
5		Arm Cover			
19	84478	GUMMIFUSS	STAND	3	
84	855068	FUSS_240	SHEETMETAL	1	
118	8999976	CAMLOC-MALE	STAND	2	
119	8999977	CAMLOC-SICHERUNG	STAND	2	
168		KREUZSCHLITZ-LINSENKOPF-M4X8		8	
170		KREUZSCHLITZ-LINSENKOPF-M5X10		3	
236	84405	SPACER-TRIPOD	SHEETMETAL	2	

1. Base



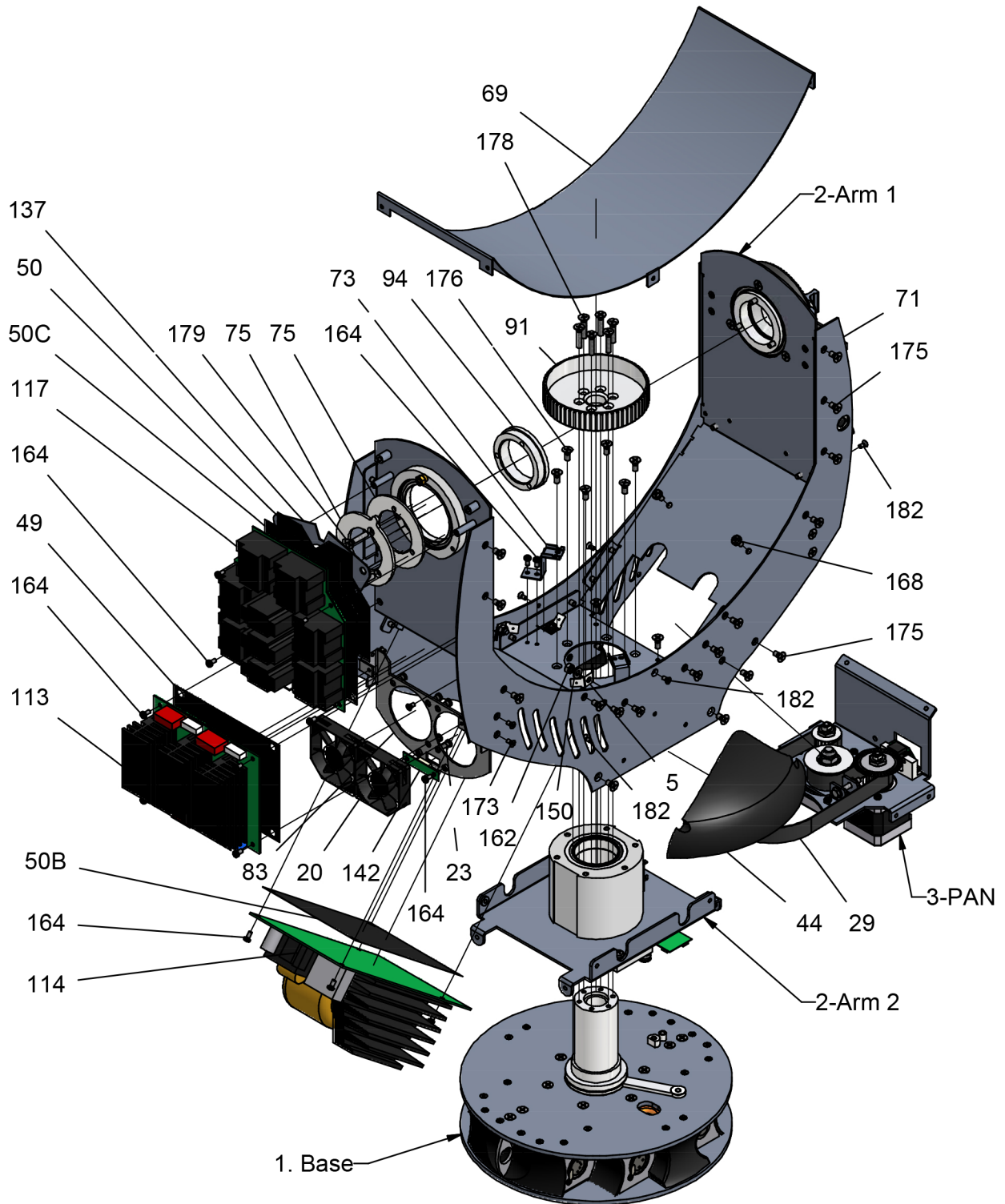
BODENBLECH



1.Base

Pos.	Code	Name	Type	Quantity	Norm
2	83133	FUSE	STAND	1	
6	84342	2-38	DRILLING-S	6	
10	84369	SPACER-BASE-CAMLOC	DRILLING-S	4	
12	84381	2-32	DRILLING-S	1	
13	84382	2-13	DRILLING-S	1	
14	84383	PANSTOPPER	DRILLING-S	1	
17	84437	1-34	STAND	2	
18	84449	NAC3MPA	STAND	1	
26	855005	MARQUARDT-SCHALTER	STAND	1	
35	855015	FUSEHOLDER_0347	STAND	1	
41	855025	BASE_PLASTIC_1	PLASTIC	2	
42	855026	BASE_PLASTIC_2	PLASTIC	4	
43	855027	BASE_PLASTIC_3	PLASTIC	4	
50A	855035	ISOLATION_PAPER_MF	STAND	1	
55	855039	GLEITRING_240	DRILLING-S	1	
60	855044	BASE_FRAME_2_L	SHEETMETAL	1	
60C		BASE_FRAME_2_L2	SHEETMETAL	1	
61	855045	BASE_FRAME_2_R	SHEETMETAL	1	
61C		BASE_FRAME_2_R2	SHEETMETAL	1	
62	855046	BASE_FRAME_1_L	SHEETMETAL	1	
63	855047	BASE_FRAME_1_R	SHEETMETAL	1	
64	855048	BASE_ACHSBLECH_240	SHEETMETAL	1	
65	855049	LOLLI_240	SHEETMETAL	1	
66	855050	SAFETYOESE_240	SHEETMETAL	2	
67	855051	BASE_BODENBLECH_240	SHEETMETAL	1	
92	855076	PAN_ACHSE_240	DRILLING-B	1	
95	855079	PAN_DISTANZ_HUELSE	DRILLING-B	1	
107	888977	NC3MAV	STAND	1	
108	888978	NC3FAV	STAND	1	
109	889977	NC5MAV	STAND	1	
110	889978	NC5FAV	STAND	1	
111	899702	2-28 CAMLOCK	STAND	4	
112	999988	MAINS_FILTER_PCB	PCB	1	
127	855112	BASE DISTANCE BLOCK		2	
135	25-018-0053	PLASTIC COVER DMX		1	
152		SPRINGWASHER-M3		2	
158		MUTTER-M3		2	
162		STOPMUTTER-M4		12	
164		KREUZSCHLITZ-LINSENKOPF-M3X6		4	
173		KREUZSCHLITZ-SENKKOPF-M3X06		8	
174		KREUZSCHLITZ-SENKKOPF-M3X08		16	
175		KREUZSCHLITZ-SENKKOPF-M4X6		10	
177		KREUZSCHLITZ-SENKKOPF-M4X16		8	
178		KREUZSCHLITZ-SENKKOPF-M5X8		1	
181		KREUZSCHLITZ-SENKKOPF-M5X8		1	
182		KREUZSCHLITZ-SK-BLECH-2-5X6		16	

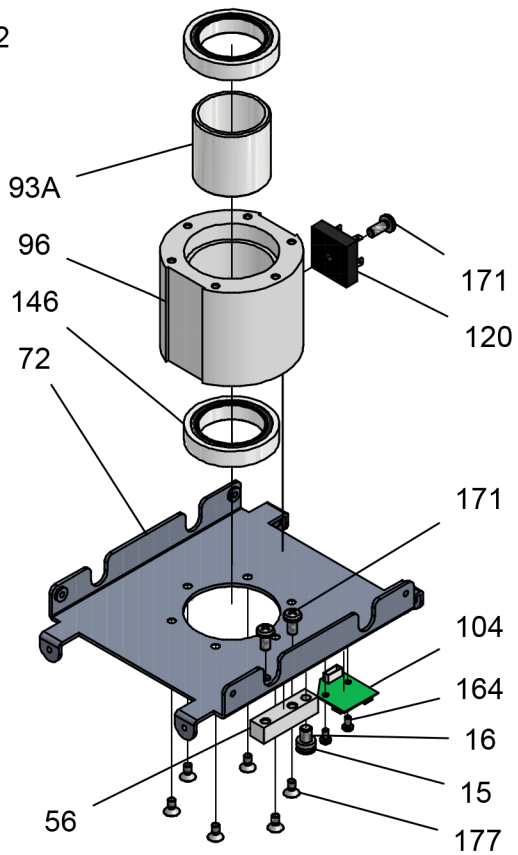
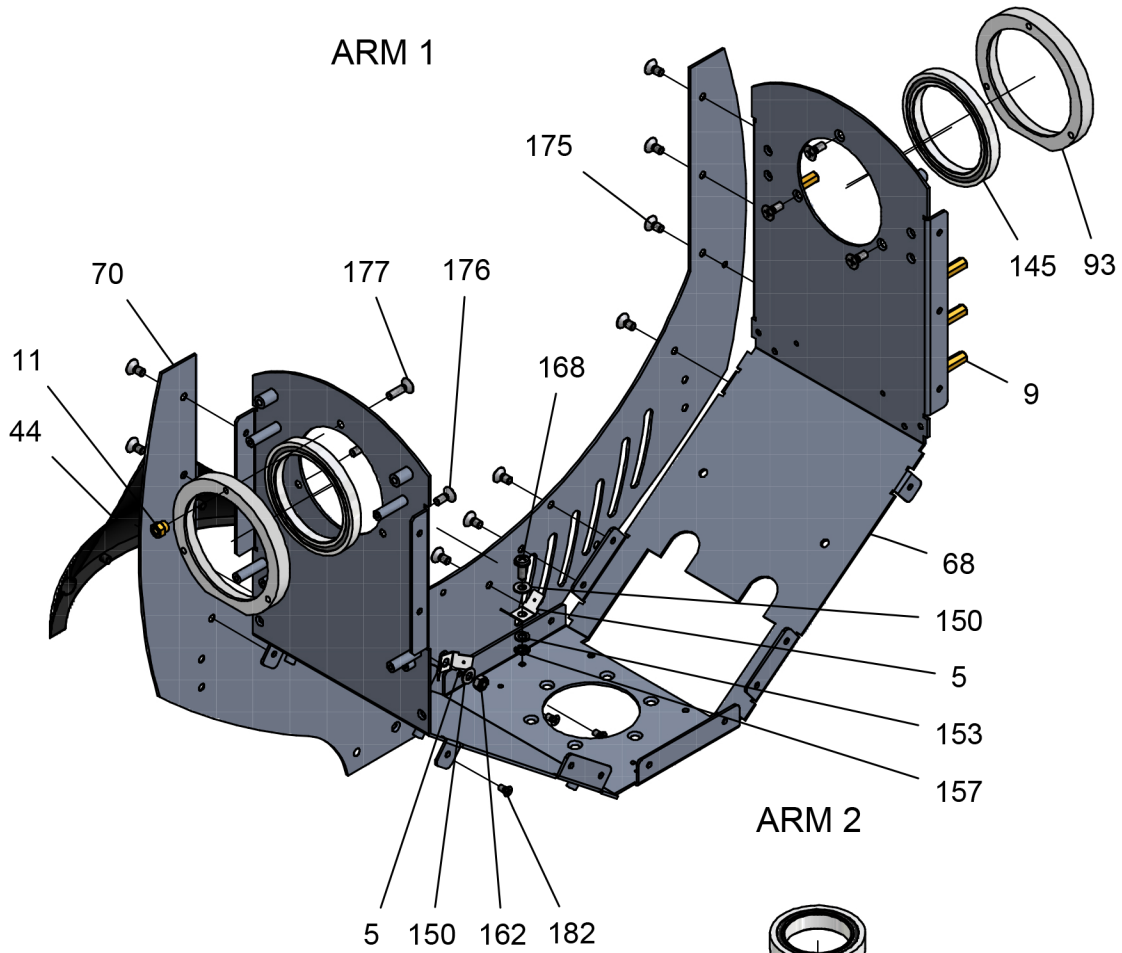
2. Arm



2. Arm

Pos.	Code	Name	Type	Quantity	Norm
5	84332	EARTHCONNECTOR-4.2	SHEETMETAL	1	
20	096180	SUNON_50X50X15	STAND	2	
23	855002	FAN_DAMPER	STAND	6	
29	855009	ZAHNRIEMEN_PAN_486	STAND	1	
44	855028	ARM_GRUNDTEIL_240	PLASTIC	1	
49	855033	ISOLATION_PAPER_TP	stand	1	
50	855034	ISOLATION_PAPER_IP	STAND	1	
50B	855125	ISOLATION_PAPER_PSU	STAND	1	
50C		ISOLATION_PAPER_LEDDRIVE 2		1	
69	855053	RUNDBLENDE_240	SHEETMETAL	1	
71	855055	SIDE_COVER_240	SHEETMETAL	1	
73	855057	CABLE_BRACKET	SHEETMETAL	2	
74	855058	TILT_BEARING_SPACER_240	SHEETMETAL	1	
75	855059	TILT_STOPPER_BLADE_240	SHEETMETAL	1	
83	855067	DOUBLE_FAN_SHEET_METAL	SHEETMETAL	1	
91	855075	HTD_3M_90Z_PAN	DRILLING-B	1	
94	855078	ACHSE_38MM	DRILLING-B	1	
113	999990	XL LEDDRIVE 1 (TRANSISTOR_PCB) spodny	PCB	1	
114	999995	XL PSU 1P(SU_PCB)	PCB	1	
117	999999	XL LEDDRIVE 2 (INDUCTOR_PCB) horny	PCB	1	
137	855138	TILT-PROTECTION	PLASTIC	1	
142	855124	DOUBLE-FAN-PCB	PCB	1	
150		U-SCHEIBE-M4-8		1	
162		STOPMUTTER-M4		1	
164		KREUZSCHLITZ-LINSENKOPF-M3X6		18	
168		KREUZSCHLITZ-LINSENKOPF-M4X8		2	
173		KREUZSCHLITZ-SENKKOPF-M3X06		4	
175		KREUZSCHLITZ-SENKKOPF-M4X6		18	
176		KREUZSCHLITZ-SENKKOPF-M4X10		5	
179		KREUZSCHLITZ-SENKKOPF-M4X25		3	
178		KREUZSCHLITZ-SENKKOPF-M4X20		6	
182		KREUZSCHLITZ-SK-BLECH-2-5X6		6	

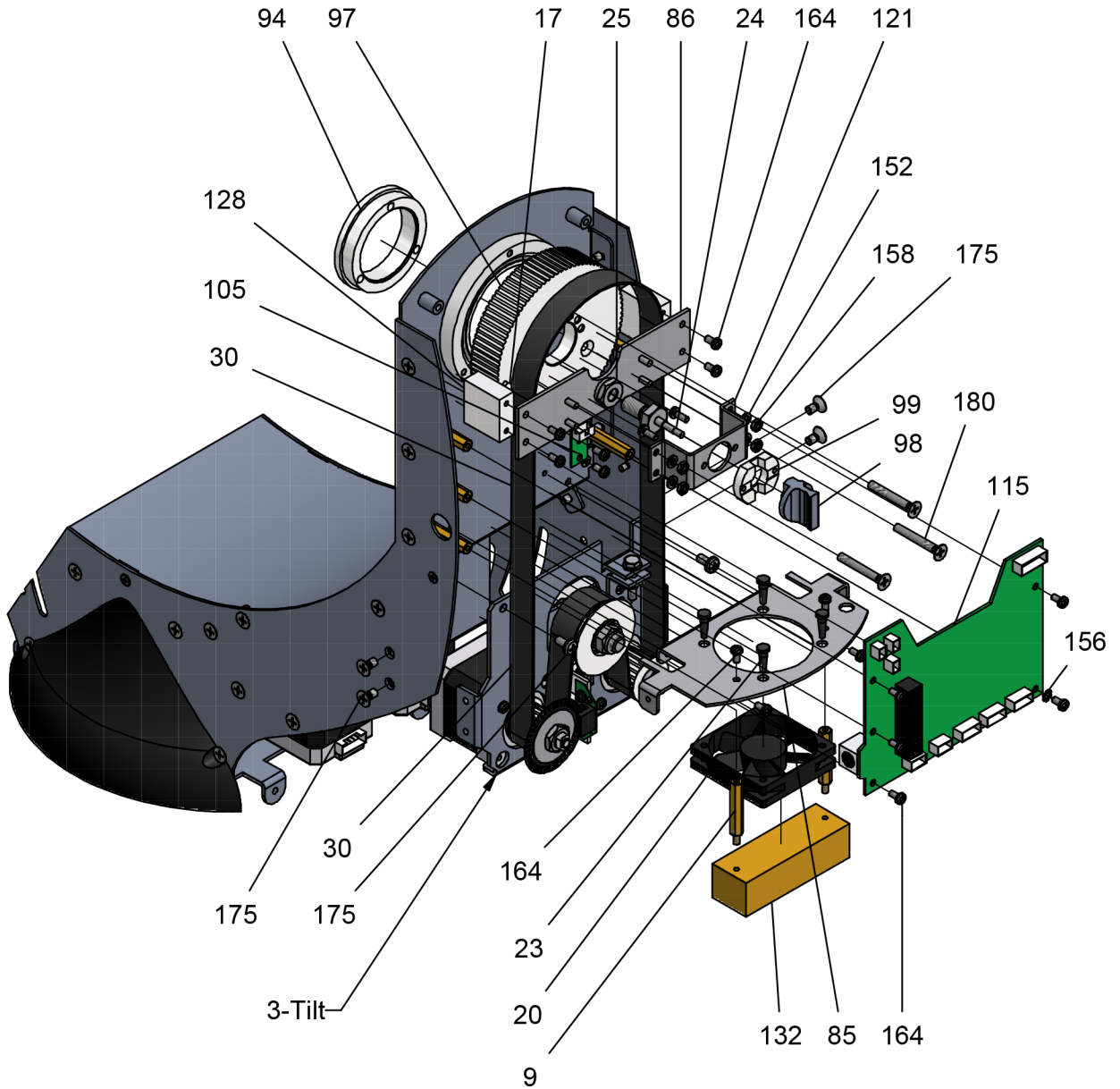
2. Arm



2. Arm

Pos.	Code	Name	Type	Quantity	Norm
5	84332	EARTHCONNECTOR-4.2	SHEETMETAL	2	
9	84367	SPACER_M3X30	DRILLING-S	5	
11	84373	TILT-STOPPER-NUT	DRILLING-S	1	
15	84399	O-RING	STAND	1	
16	84419	INBUS-M6X08(with slot)	STAND	1	
44	855028	ARM_GRUNDTEIL_240	PLASTIC	2	
56	855040	PAN-ANSCHLAGSPACER	DRILLING-S	1	
68	855052	ARM_MAINFRAME_240	SHEETMETAL	1	
70	855054	SIDE_COVER_2_240	SHEETMETAL	1	
72	855056	ARM_VERST_240	SHEETMETAL	1	
93	855077	TILT_BEARINGBLOCK_240	DRILLING-B	2	
93 A		PAN_BEARINGBLOCK_240		1	
96	855082	PAN_DISTANCE_240	DRILLING-B	1	
104	888892	HALL-PCB-3	PCB	1	
120		GLEICHRICHTER	STAND	1	
145		KUGELLAGER 6810-ZZ		2	
146		KUGELLAGER 6907-ZZ		2	
150		U-SCHEIBE-M4-8		2	
153		SPRINGWASHER-M4		1	
157		TEETHWASHER-M4		1	
162		STOPMUTTER-M4		1	
164		KREUZSCHLITZ-LINSENKOPF-M3X6		2	
168		KREUZSCHLITZ-LINSENKOPF-M4X8		1	
171		KREUZSCHLITZ-LINSENKOPF-M5X10		3	
175		KREUZSCHLITZ-SENKKOPF-M4X6		18	
176		KREUZSCHLITZ-SENKKOPF-M4X10		5	
177		KREUZSCHLITZ-SENKKOPF-M4X16		7	
182		KREUZSCHLITZ-SK-BLECH-2-5X6		3	

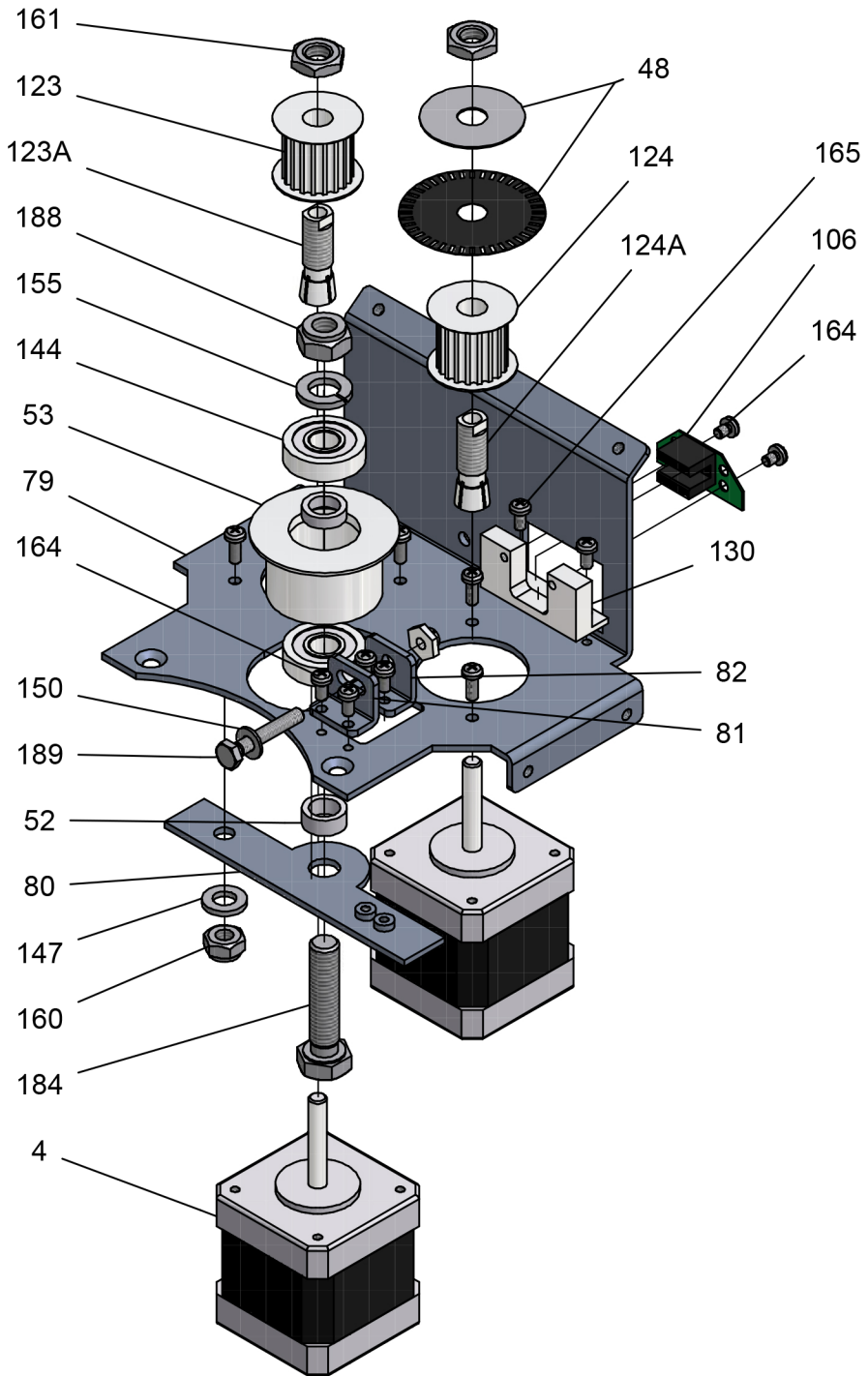
2. Arm



2. Arm

Pos.	Code	Name	Type	Quantity	Norm
9	84367	SPACER_M3X30	DRILLING-S	2	
17	84437	1-34	STAND	1	
20	096180	SUNON_50X50X15	STAND	1	
23	855002	FAN_DAMPER	STAND	4	
24	855003	RASTBOLZEN+D124 TILT LOCK	STAND	1	
25	855004	KONTERMUTTER M8x1.0	STAND	1	
30	855010	ZAHNRIEMEN_TILT_711	STAND	1	
85	855069	SINGLE_FAN_SHEET_METAL	SHEETMETAL	1	
86	855070	TILT_LOCK_BRACKET	SHEETMETAL	1	
94	855078	ACHSE_38MM	DRILLING-B	1	
97	855083	HTD_3M_90Z_TILT	DRILLING-B	1	
98	855084	TILT_LOCK_KNOB	DRILLING-B	1	
99	855085	TILT_LOCK_KNOB_2	DRILLING-B	1	
105	888893	HALL-PCB-4 TILT	PCB	1	
115	999997	XL MAIN (MAIN_PCB)	PCB	1	
121	855117	TILT LOCK SHEET METAL		1	
128	855111	TILT LOCK BLOCK		2	
132	855133	ZUSATZGEWICHT ARM		1	
152		SPRINGWASHER-M3		4	
156		TEETHWASHER-M3		1	
158		MUTTER-M3		4	
164		KREUZSCHLITZ-LINSENKOPF-M3X6		10	
175		KREUZSCHLITZ-SENKKOPF-M4X6		6	
180		KREUZSCHLITZ-SENKKOPF-M4X35		3	

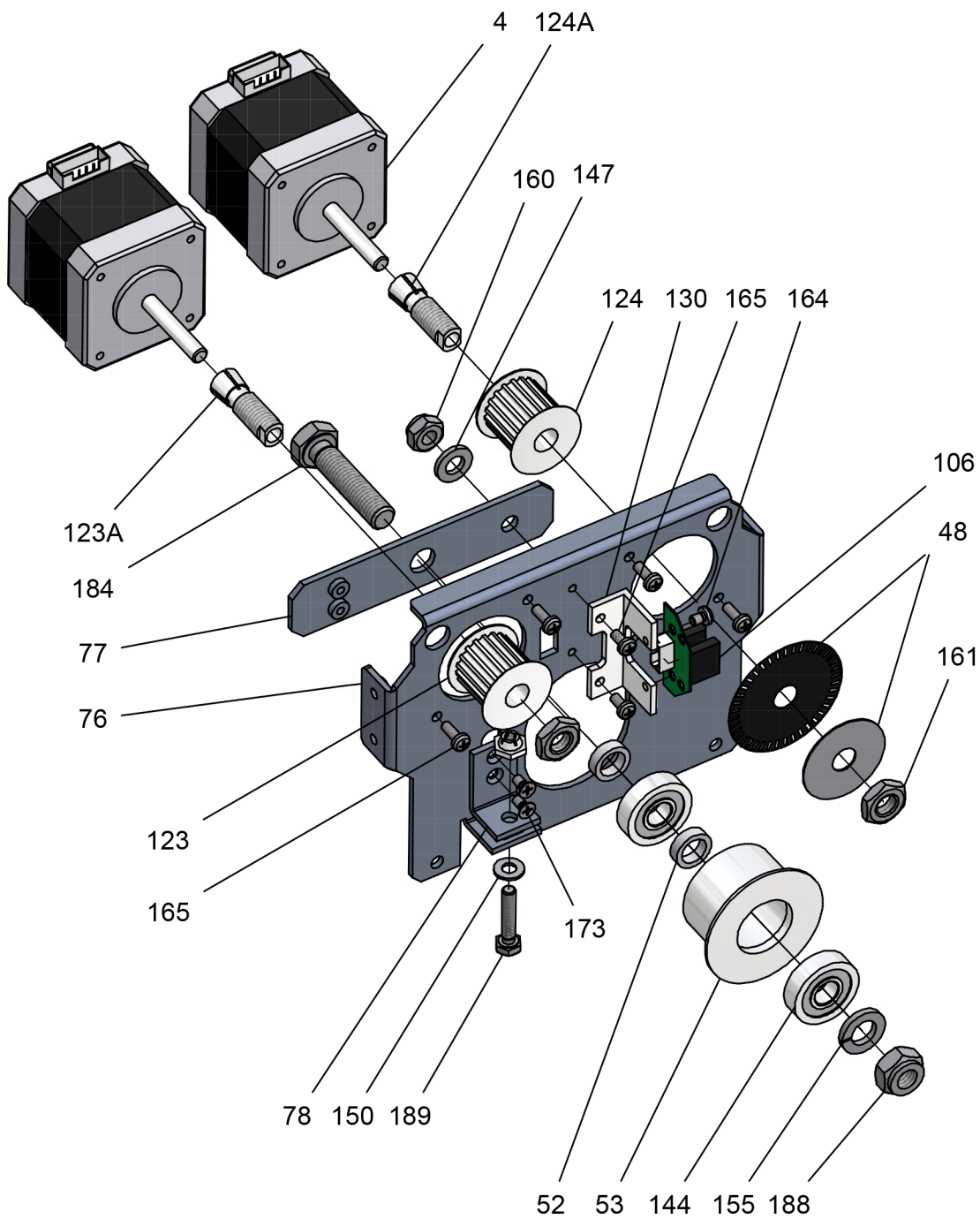
3. PAN



3. PAN

<i>Pos.</i>	<i>Code</i>	<i>Name</i>	<i>Type</i>	<i>Quantity</i>	<i>Norm</i>
PAN					
4	84053	MOTOR-PAN	STAND	2	
48	855032	ENCODERWHEEL_240	STAND	1	
52	855037	SPANNROLLE_HUELSE	DRILLING-S	2	
53	855037	SPANNROLLE_30MM	DRILLING-B	1	
79	855063	PAN_SHEET_METAL	SHEETMETAL	1	
80	855064	PAN_TENS_SHEET_METAL	SHEETMETAL	1	
81	855065	PAN_TENS_MOUNTING_BRACKET_1	SHEETMETAL	1	
82	855066	PAN_TENS_MOUNTING_BRACKET_2	SHEETMETAL	1	
106	888894	FEED PCB	PCB	1	
123	855107	PAN ZAHNSCHEIBE		1	
123A	855103	SPANNZANGE_M8		1	
124	855106	PAN ZAHNSCHEIBE ENC		1	
124A		SPANNZANGE_M8_ENC		1	
130A		ENCODERWINKEL		1	
144		KUGELLAGER 608-ZZ		2	
147		U-SCHEIBE-M6		1	
150		U-SCHEIBE-M4-8		1	
155		SPRINGWASHER-M8		1	
160		MUTTER-M6		1	
161		MUTTER-M8		1	
164		KREUZSCHLITZ-LINSENKOPF-M3X6		10	
165		KREUZSCHLITZ-LINSENKOPF-M3X8		2	
184		DEI4017_A_080_035_88		1	
188		STOPMUTTER-M8		1	
189		M4x25		1	

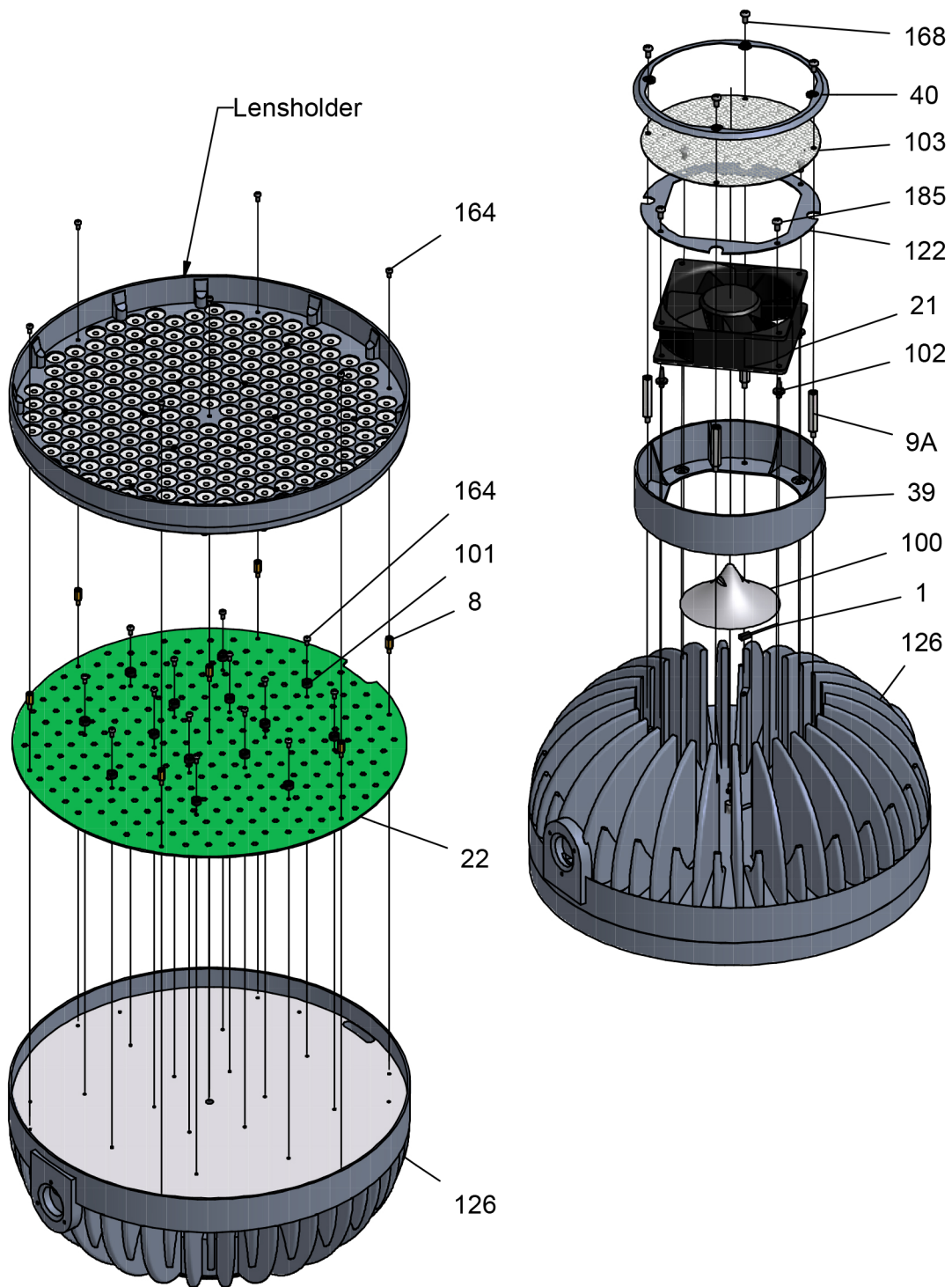
3. TILT



3. TILT

<i>Pos.</i>	<i>Code</i>	<i>Name</i>	<i>Type</i>	<i>Quantity</i>	<i>Norm</i>
TILT					
4	84053	MOTOR-TILT	STAND	2	
48	855032	ENCODERWHEEL_240	STAND	1	
52	855037	SPANNROLLE_HUELSE	DRILLING-S	2	
53	855037	SPANNROLLE_30MM	DRILLING-B	1	
76	855060	TILT_SHEET_METAL	SHEETMETAL	1	
77	855061	TILT_TENS_SHEET_METAL	SHEETMETAL	1	
78	855062	TENSIONER_BRACKET	SHEETMETAL	1	
106	888894	FEED PCB	PCB	1	
123	855107	TILT ZAHNSCHEIBE		1	
123A	855103	SPANNZANGE_M8		1	
124	855106	TILT ZAHNSCHEIBE ENC		1	
124A		SPANNZANGE_M8_ENC		1	
130	855105	ENCODERWINKEL 20x15		1	
144		KUGELLAGER 608-ZZ		2	
147		U-SCHEIBE-M6		1	
150		U-SCHEIBE-M4-8		1	
155		SPRINGWASHER-M8		1	
160		MUTTER-M6		1	
161		MUTTER-M8		1	
164		KREUZSCHLITZ-LINSENKOPF-M3X6		6	
165		KREUZSCHLITZ-LINSENKOPF-M3X8		2	
173		KREUZSCHLITZ-SENKKOPF-M3X06		2	
184		DEI4017_A_080_035_88		1	
188		STOPMUTTER-M8		1	
189		M4x25		1	

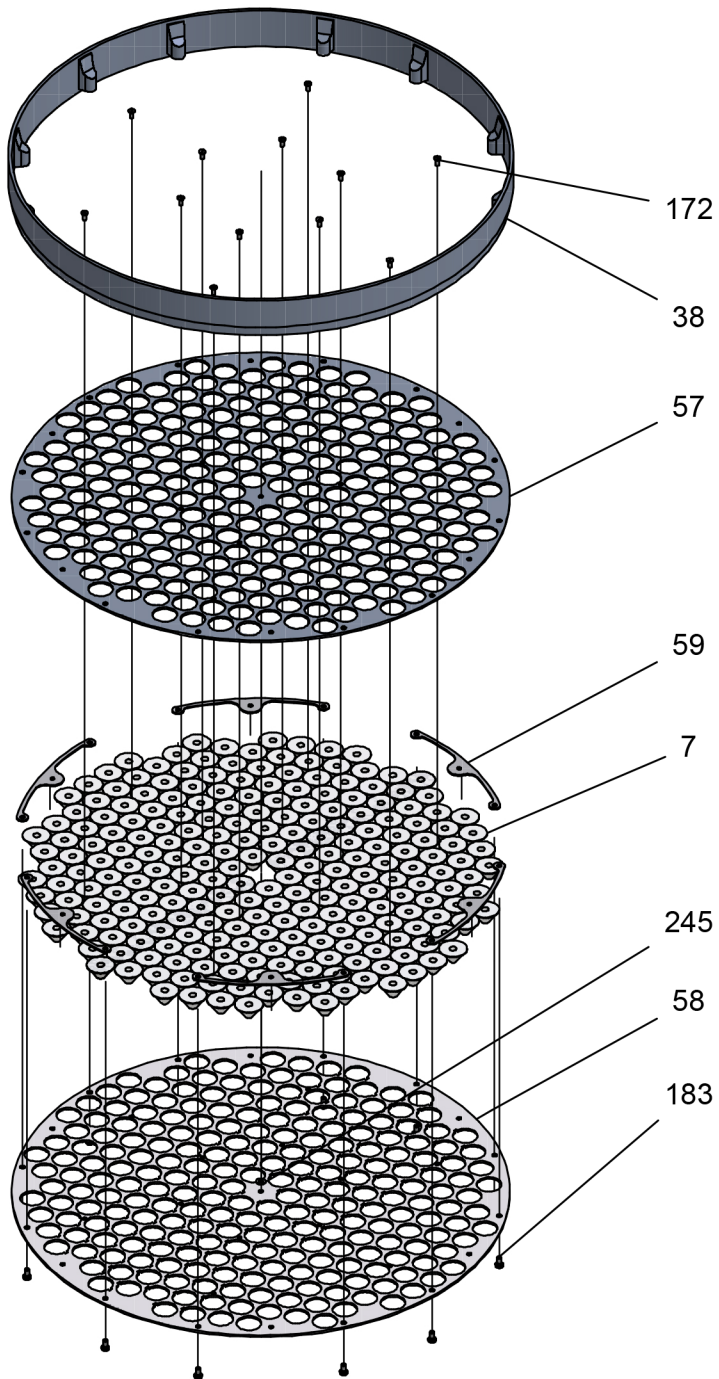
4. Head



4. Head

<i>Pos.</i>	<i>Code</i>	<i>Name</i>	<i>Type</i>	<i>Quantity</i>	<i>Norm</i>
1	3994	TEMPEARTURE-SENSOR	STAND	1	
8	84366	SPECIAL-SPACER	DRILLING-S	7	
9A	855115	SPACER_M4X40	DRILLING-S	4	
21	096181	SUNON_PMD2412PMB1A	STAND	1	
22	097057	XL LED-K2	PCB	1	
39	855023	FAN_CASE_240	PLASTIC	1	
40	855024	FAN_RING_240	PLASTIC	1	
100	855086	DREHTEIL-HEATSINK	DIECASTING	1	
101	855088	SCREW-ISOLATION-HOLDER	PLASTIC	24	
102	855093	FAN_DAMPER HEAD		4	
103	855097	FAN_GUARD_240_C	SHEETMETAL	1	
122	855096	FAN COVER INSIDE		1	
126	855119	DRUCKGUSSKOPF_IMPRESSION XL		1	
164		KREUZSCHLITZ-LINSENKOPF-M3X6		92	
168		KREUZSCHLITZ-LINSENKOPF-M4X8		4	
185		KB 5x10		4	

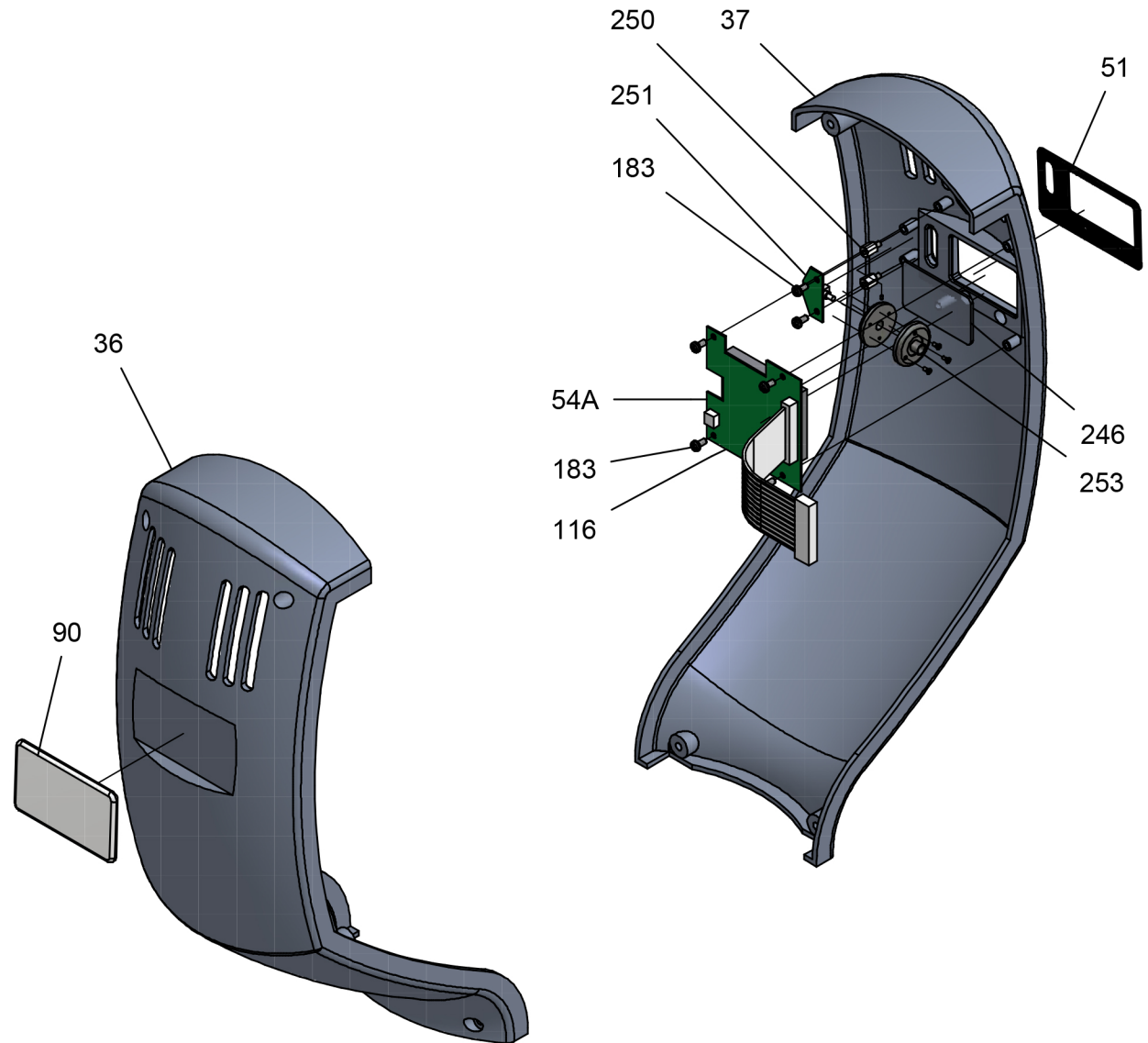
4. Head



4. Head

<i>Pos.</i>	<i>Code</i>	<i>Name</i>	<i>Type</i>	<i>uantit</i>	<i>orm</i>
7	84362	LXHL__LENSE	STAND	240	
38	855022	BLENDE_240	PLASTIC	1	
57	855041	LENSHOLDER_FRONT_240	SHEETMETAL	1	
58	855042	LENSHOLDER_BACK_240	SHEETMETAL	1	
59	855043	LENSHOLDER_MIDDLE_240	SHEETMETAL	6	
172		KREUZSCHLITZ-SENKKOPF-M2_5X6		12	
183		KREUZSCHLITZ-BLECHSCHRAUBE25X77		12	
245	8889441	Passscheibe 4,2x12x1 Edelstahl		1	

5. Side Cover



5. Side Cover

<i>Pos.</i>	<i>Code</i>	<i>Name</i>	<i>Type</i>	<i>Quantity</i>	<i>Norm</i>
36	855020	ARM_COVER_DIMMER	PLASTIC	1	
37	855021	ARM_COVER_display	PLASTIC	1	
51	855036	DISPLAYFILM_240	STAND	1	
54	855038	ROLLER-CENTER / Roller Skin	PLASTIC	1	
54A		SCROLL_WHEEL-BRACKET	DRILLING-B	1	
90	855074	IMP_XL_LABEL	STAND	1	
116	999998	XL DISP (DISPLAY_PCB_240)	PCB	1	
186		KREUZSCHLITZ-LINSENKOPF-M2x5		2	
183		KREUZSCHLITZ-BLECHSCHRAUBE25X77		6	
246	84324	Display windows	PLASTIC	1	
250		Distanzbolzen M3x7		2	
251	855116	Platine fur Display Rolleeinstellung (ENCODER PCB)		1	
253	855032	Encoderwheel impression XL		1	